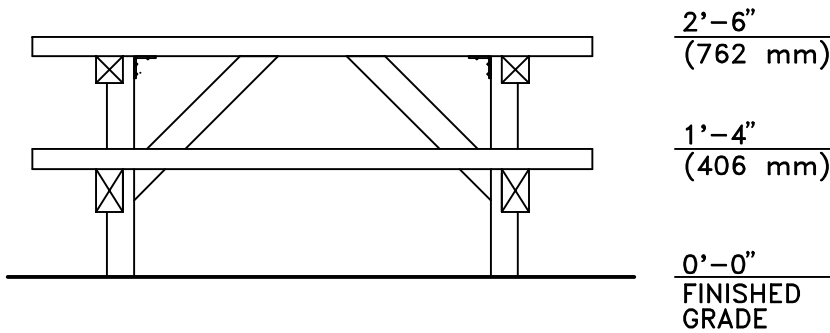
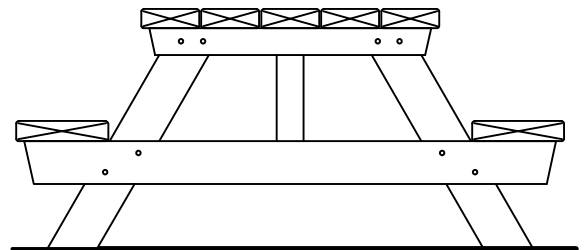


TOP VIEW



FRONT VIEW



END VIEW

AVAILABLE IN 6' (SHOWN), 8' NOMINAL LENGTHS.  
OTHER LENGTHS AVAILABLE UPON REQUEST.

Date	Revision	By
△		
△		
① 05-04-26	LINE STYLE	KH
Scale	Drawn by: AT	07-04-10
1/2" = 1'-0"	Ck'd by:	

**COLUMBIA CASCADE COMPANY**  
 Makers of TimberForm®, PipeLine®, RePlay®  
 TimberForm®-2 and CycLoops® Products.  
[www.TimberForm.com](http://www.TimberForm.com)  
 Phone: 503/223-1157 Email: HQ@TimberForm.com

This drawing reveals the copyrighted intellectual property of Columbia Cascade Company. Not for use by others without our express, written authorization.

Title:  
**TIMBERFORM ARBOR TABLES**  
**MODEL NO. 2242-6**  
**PICNIC TABLE WITH SEATS**

Drawing No.  
**W-2242-6**

Sheet  
**1 of 1**